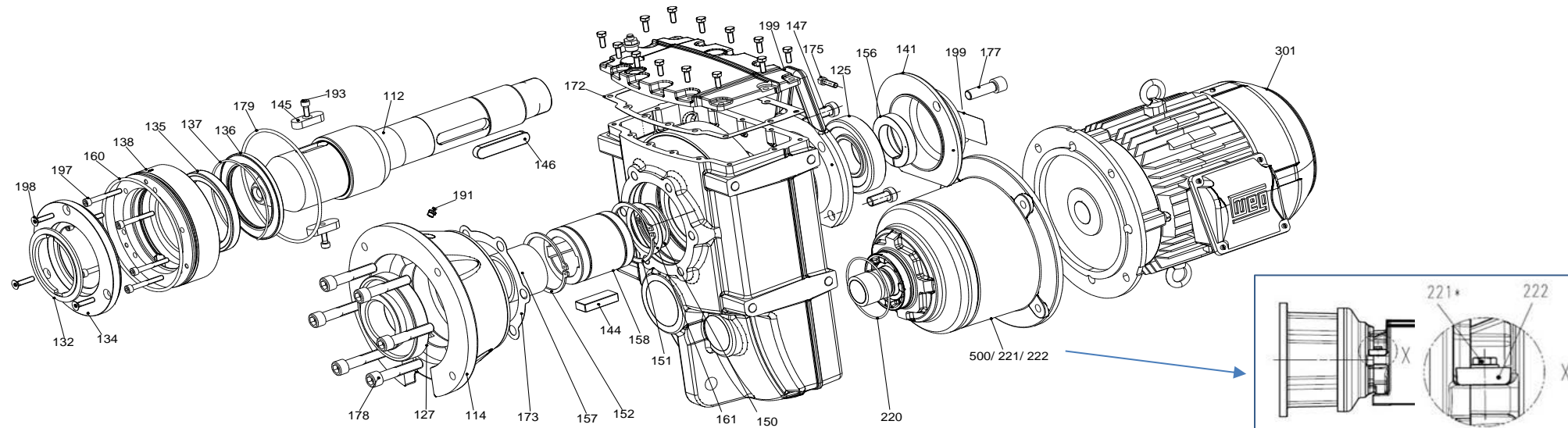




# Ersatzteilliste / list of spare parts

# BAUER

Motor und Getriebe 5,5kW/7,5kW Baureihe G500 S3100 / motor and gear 5,5kW/7,5kW type series G500 S3100



Pos	Bezeichnung / description	Menge Quantity	Pos	Bezeichnung / description	Menge Quantity	Pos	Bezeichnung / description	Menge Quantity
112	Hauptwelle Abtriebswelle / primary shaft	1	146	Passfeder/ fitting key	1/2(V4A)	177	Zyl. Schraube/ zyl. screw DIN912 M16x50	2
114	Flansch / flange	1	147	Zyl.Schraube/ zyl. screw DIN6912 M16x35	2	178	Zyl.Schr. / zyl. screw DIN912 M16x80	6
125	Kegelrollenlager/taper roller bearing	1	150	Sicherungsring /retaining ring	1	179	O-Ring/ o-ring	1
127	Kegelrollenlager/taper roller bearing	1	151	Sicherungsring /retaining ring	1	191	Schmiernippel, Abdeckung Schmiernippel	1
132	Innenring V05/innerring V05	1	152	Sicherungsring /retaining ring	1	193	Zyl. Schraube/ zyl. screw DIN912 M8x16	2 / 4
134	Außenring V06 Lab-ring/outherring V06	1	156	Klemmring /clamp ring	1	197	Zyl. Schraube /zyl. screw DIN912 M8x60	6
135	Wellendichtring Cassette / radial seal ring	1	157	Buchse / bushing Da=84 Di=70 L=63,5	1	198	Senkschr./counter sunk screw DIN7991 M8x35 A4	3
136	Wellendichtring / radial seal ring	1	158	Buchse / bushing Da=97 Di=70 L=100	1	199	Aufsteckhalter, Aufkleber /holder , sticker	1
137	Federring/spring circlip	1	160	O-Ring/ o-ring	1	220	O-Ring/ o-ring	1
138	Lagerring-2n / bearing ring - 2n	1	161	Passscheibe / shim ring	1	221	Zyl.Schr.+ Scheibe / zyl.screw+disk	1
141	Lagerdeckel S108 / bearing cover	1	172	Gehäusedichtung / body seal	1	222	Sicherungsblech/safety plate	1
144	Passfeder/ fitting key	1	173	Flachdichtung / flat seal	1	301	Motor/ motor	1
145	Passfeder/ fitting key	2	175	Zyl. Schraube / zyl. screw DIN912 M8x30	1	500	Normadapter / standard-adapter	1
<b>Ersatzteilsets -Artikelbezeichnung</b>		<b>sets of spare parts description</b>			<b>besteht aus /consists of (Menge siehe oben /quantitiy see above)</b>			<b>Artikel Nr./Part No.</b>
Deckscheibe 3kW/4kW /5,5kW /7,5kW		covering disc for 3kW/4kW/ 5,5/7,5kW			Pos 132, 134, 198			2004650
Deckscheibe- Innenring 3kW/4kW /5,5kW /7,5kW		covering disc - innerring for 3kW/4kW/ 5,5/7,5kW			Pos 132			2004662
Hauptwelle SFK 5,5kW		primary shaft SFK 5,5kW			Pos 112,145,193,144,146,150,151,152,172,173,220,221,222			2004651
Hauptwelle SFK 5,5kW V4A		primary shaft SFK 5,5kW V4A			Pos 112,145,193,144,146,150,151,152,172,173,220,221,222			2004652
Hauptwelle LFK 7,5kW		primary shaft LFK 7,5kW			Pos 112,145,193,144,146,150,151,152,172,173,220,221,222			2004653
Hauptwelle LFK 7,5kW V4A		primary shaft LFK 7,5kW			Pos 112,145,193,144,146,150,151,152,172,173,220,221,222			2004654
Passfeder mit Schraube SFK 5,5kW		fitting key with scew SFK 5,5kW			Pos145, 193			2004655
Passfeder mit Schraube LFK 7,5kW		fitting key with scew LFK 7,5kW			Pos145, 193			2004656
Dichtungsträger 5,5kW, 7,5kW		seal bracket 5,5kW, 7,5kW			Pos135,136,137,138,179,160,198,197			2004657
Lagerung Hauptwelle 5,5kW, 7,5kW		bearing primary shaft 5,5kW/7,5kW			Pos125,127,144,146,150,151,152,172,173,220,221,222			2004658
Lagerung Hauptwelle 5,5kW, 7,5kW V4A		bearing primary shaft 5,5kW/7,5kW V4A			Pos125,127,144,146,150,151,152,172,173,220,221,222			2004659
Normadapter IEC		standard adapter IEC			Pos500,220,221,222			2004660
Normadapter NEMA		standard adapter NEMA			Pos500,220,221,222			2004661
Motor 5,5kW		motor 5,5kW			Pos 301			2004608
Motor 7,5kW		motor 7,5kW			Pos 301			2004609